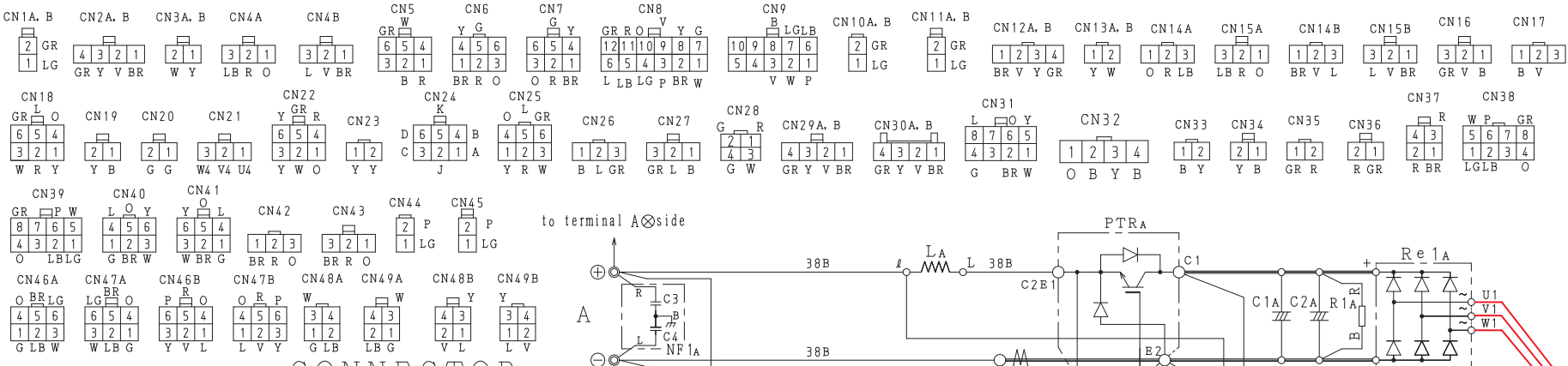
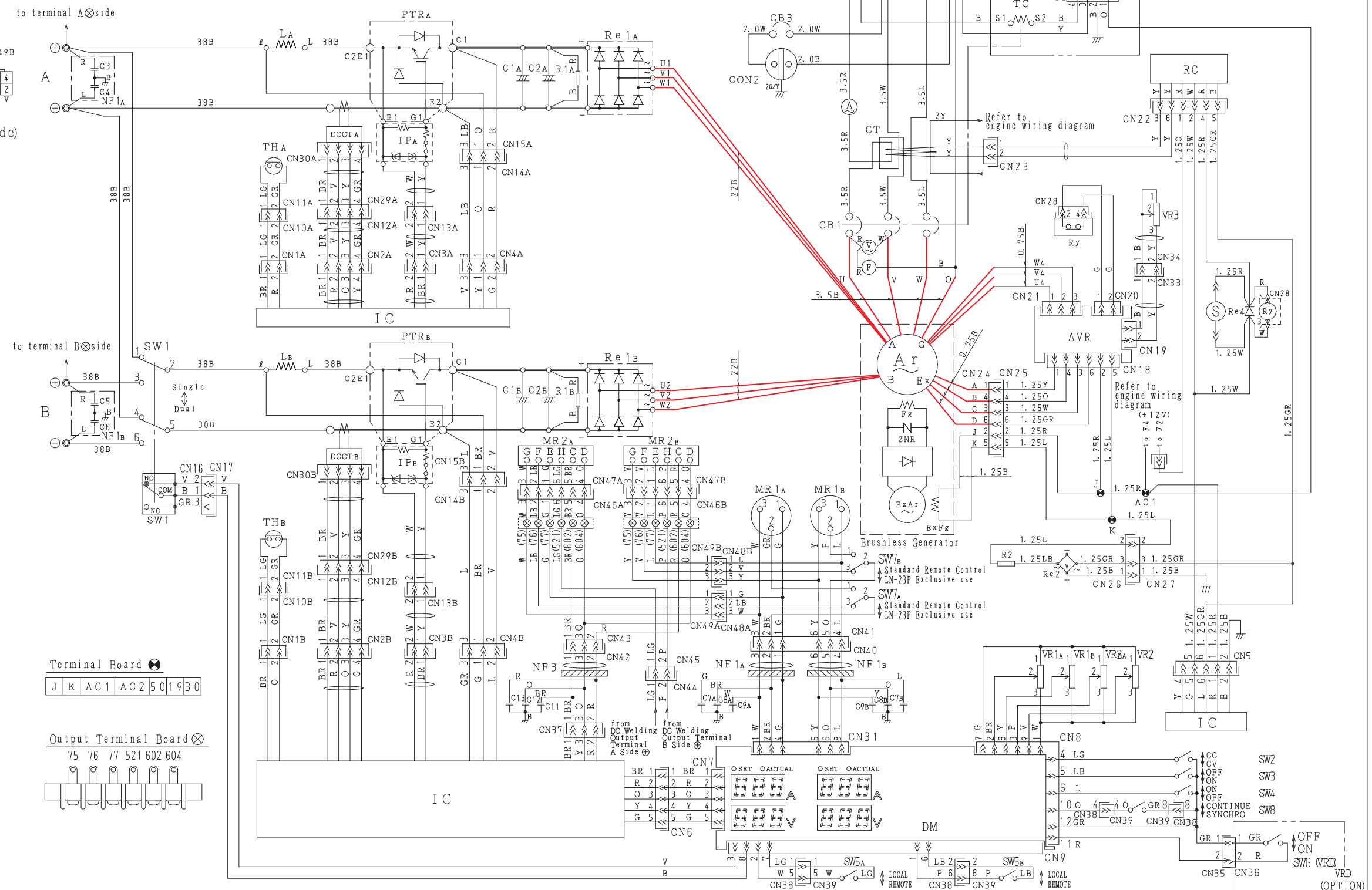


様式:F30-005A



CONNECTOR
(View from Wiring side)

| SYMBOL | PARTS NAME |
|----------------------------------|--------------------------------------|
| V | AC Voltmeter |
| A | AC Ammeter |
| F | Frequency meter |
| CB1 | AC Circuit Breaker |
| U, V, W, O | AC Output Terminal |
| Re1A, B | Rectifier |
| C1A, B | Condenser |
| C2A, B | Condenser |
| R1A, B | Resistor |
| PTRA, B | IGBT |
| IPA, B | Protector, transistor (IGBT) |
| IC | Control Unit, transistor (IGBT) |
| DM | Digital Panel |
| LA, B | DC Reactor |
| VR1A, B | Current/Voltage Regulator |
| VR2A, B | Arc Force Regulator |
| DCCTA, B | DC Current Transformer |
| SW1 | Single-Dual Selector Switch |
| SW2 | Welding Mode Selector Switch (CC/CV) |
| SW3 | e mode Switch |
| THA, B | Thermostat |
| NF1A, B | Surge Filter |
| ⊕ ⊖ | DC Welding Output Terminal |
| ⊙ | Terminal Board |
| AVR | Automatic Voltage Regulator |
| Re2 | Rectifier |
| R2 | Resistor |
| VR3 | Voltage Regulator |
| Ry | Relay |
| Re4 | Rectifier |
| RC | Control Unit, idle control |
| CT | Current Transformer |
| S | Rotary Solenoid |
| SW4 | Idle control Switch |
| SW5A, B | Output Control Selector Switch |
| SW7A, B | Socket Selector Switch |
| SW8 | OCV Selector Switch |
| MR1A, B | Remote Socket |
| MR2A, B | Feeder Socket |
| NF2A, B, 3 | Noise Filter |
| C7~9A, B 11~13 | Condenser |
| ⊗ | Terminal Board |
| CON1, 2 | AC Output Receptacle |
| CB2, 3 | AC Circuit Breaker |
| OPTION (for Earth Leakage Relay) | |
| 22 | Earth Leakage Relay |
| C10 | Condenser |
| ⊥ | Ground Terminal (for ELR) |
| OPTION (for VRD) | |
| SW6 | VRD Selector |
| * A | Welding Side A |
| * B | Welding Side B |
| * Ex | ABCD Excitation (for AVR) |
| * G | AC Generator |



| Wire Size | WIRING COLOR CODE | | | |
|------------------------------|-------------------|--------|--------|-------------|
| | SYMBOL | COLOR | SYMBOL | COLOR |
| 1.25: 1.25mm ² | B | BLACK | R | RED |
| 2: 2mm ² | L | BLUE | W | WHITE |
| 3.5: 3.5mm ² | BR | BROWN | Y | YELLOW |
| 5.5: 5.5mm ² | G | GREEN | LB | LIGHT BLUE |
| 8: 8mm ² | GR | GRAY | LG | LIGHT GREEN |
| 30: 30mm ² | V | VIOLET | O | ORANGE |
| NO MARK: 0.75mm ² | P | PINK | | |

DCW-480ESW

1:1 GENERATOR WIRING DIAGRAM